

Stone guide

2023

V1.0

Stone guide glossary

Stone types

ES

NS

UCS
POR

ES

Engineered stone

NS

Natural stone

UCS/POR

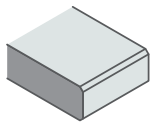
Ultra compact surfaces
Dekton / Porcelain

Stone guide glossary

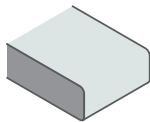
Thickness

Type 1

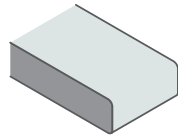
Single thickness



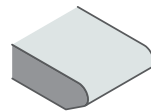
Aris



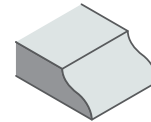
3mm DPR



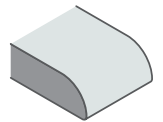
7mm PR
(top edge only)



Sharknose
(ES + NS only)



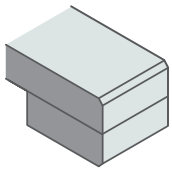
Provincial
(ES + NS only)



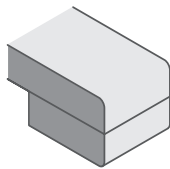
Half Bullnose
(ES + NS only)

Type 2

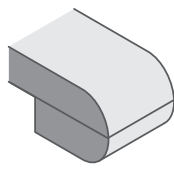
Laminated edge (ES + NS only)



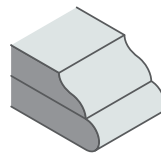
Aris



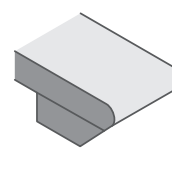
3mm DPR



Full Bullnose



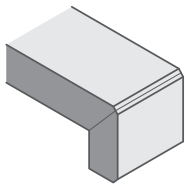
French Provincial



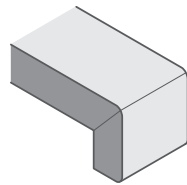
Sharknose

Type 3

Mitred apron edge



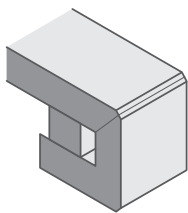
Aris



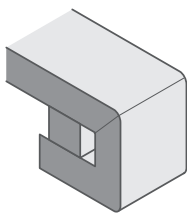
3mm DPR

Type 4

Box mitred edge



Aris



3mm DPR

NS

Natural stone

NS

1. NS including but not limited to granite, marble, dolomite, limestone, quartzite, travertine will have natural fissures. At times, these may open up in manufacture or transport and have to be repaired either in production or on site. This is acceptable for natural stone, a remake will not occur in any case where the stone can be repaired. Material that has a shattered look like many quartzites and marbles is indicative that the material has multiple fault lines present.
2. The price of NS is no reflection on the quality of the stone, often the more expensive and rare the product selected is the more fragile the material.
3. Edstein always advise that clients view the slabs prior to the job going ahead due to variance in slabs. Every slab is individual. This can be done via email and photos whether slabs, are being used from our stock in Taree or coming from Sydney. An appointment at least 2 days prior is essential to view slabs whether it be at our facility or our Sydney wholesalers. Covered footwear must be worn. **Material sign off form** is required to be signed. Warranty and disclaimer pack is available from our website.
4. Cut outs close to edges and exotic edge profiles may not be an option in some natural stone due to the make-up of the material.
5. There are multiple finishes in natural stone; polished, honed and leathered are the most common. No finish is better than another. No change to the finish may be available.
6. Aris edges are recommended to provide a consistent edge finish. Pencil round edges are achievable but not recommended due to the inconsistent finish on the edge.
7. Cosentino stocks a range of NS called Sensa. This range has been treated with Nanotech technology and does not require resealing for the life of the product and has a 15 year warranty.

8. Edstein do not offer any warranty on limestone, travertine and marble products due to the softness and porous nature of these materials. Customers must sign our disclaimer when selecting these materials before the job goes ahead.

Cleaning, maintenance and warranty

- NS does require resealing every 12 months depending on type and application. When moisture no longer beads on the surface, it is an indication that the surface needs resealing. Edstein stocks a range of products that customers can purchase to reseal benchtops themselves.
- For day to day cleaning, use hot soapy water. Avoid cream cleansers, harsh chemicals/acids or abrasive scorers.
- Avoid leaving oil residue on benchtops for long periods of time, clean up after cooking to maintain appearance.
- NS, like most stone materials, can be damaged by sudden and rapid temperature changes. Hot pots should never be placed directly on the surface. A trivet should also be placed under appliances that radiate heat, including but not limited to frying pans, slow cookers and air fryers.
- Edstein guarantee the installation of stone countertops but cannot guarantee that the stone will not crack on the countertop. This is because of the natural composition of the stone as well as settling issues. All cracks will need to be inspected to determine the cause of the cracking.
- All uses of this material in a fireplace setting or fireplace adjacent setting, are subject to the restrictions of the fireplace manufacturers guidelines and any relevant building certifier or architect.

ES

Engineered stone

ES

1. Edstein offers a range of ES from the following companies: Caesarstone, Essa Stone, Quantum Quartz, Silestone, Stone Ambassador and Smartstone.
2. Edstein advise that clients view slabs in the natural or designer range prior to the job going ahead due to variance in slabs. This can be done via email and photos or in person. An appointment at least 2 days prior is essential to view slabs, whether it be at our facility or our Sydney wholesalers. Covered footwear must be worn. **Material sign off** form is required to be signed. Warranty and disclaimer pack is available from our website.
3. There are multiple price categories for ES, a more expensive category does not equate to better quality stone, simply more labour to make the design.
4. ES is not suitable for outdoor use, it is not UV stable and will discolour if used outdoors. Use outdoors will void your warranty. Excluding Caesarstone's Outdoor Range.
5. ES is combustible, minimum distances apply when using for splashbacks and around heat sources like BBQs.
6. There are multiple finishes in ES, the finish the product is supplied in is the only option, this cannot be altered.
7. The slabs may differ in colour compared to the sample.
8. Different batch numbers may differ in colour, this includes different slab thicknesses which differ in colour as they are manufactured in different batches.
9. A **disclaimer** is required to be signed on all Caesarstone Concrete look products due to the extra level of maintenance required. Warranty and disclaimer pack is available from our website.

Cleaning, maintenance and warranty

- Engineered Stone can not be resealed. It can be permanently damaged if exposed to strong chemicals. The surface cannot be repolished if damaged.
- For day to day cleaning, use hot soapy water. Avoid cream cleansers, harsh chemicals/acids or abrasive scorers.
- Matt / concrete finishes will require more frequent cleaning than their polished counterparts.
- Avoid leaving oil residue, or staining food groups on benchtops for long periods of time and clean up after cooking to maintain appearance.
- Engineered Stone like most stone material, can be damaged by sudden and rapid temperature changes. Hot pots should never be placed directly on the surface. A trivet should also be placed under appliances that radiate heat including but not limited to frying pans, slow cookers and air fryers.
- Edstein guarantee the installation of the stone countertops and recommend you register your warranty online with the appropriate company to warrant the stone. Chips and cracks are not covered under warranty.
- Damage as a result of sitting, climbing or standing / excessive weight on a product is not covered under warranty.
- This material is not suitable for use as a surround for fireplaces.
- This material is not suitable for use with pit cookers

UCS / POR

Ultra compact surfaces / Dekton / Porcelain

1. Edstein offers a range of ultra compact / porcelain surfaces from the following companies: Dekton, Caesarstone Porcelain, Vasari, Laminam and Quantum 6.
2. There are multiple price categories for UCS/POR surfaces, a more expensive category does not equate to better quality stone.
3. UCS/POR are UV stable and can be used outdoors and around high heat sources.
4. Edstein advise that clients view slabs in the natural or designer range prior to the job going ahead due to variance in slabs. This can be done via email and photos or in person. An appointment at least 2 days prior is essential to view slabs, whether it be at our facility or our Sydney wholesalers. Covered footwear must be worn. The **Material sign off** form is required to be signed. Warranty and disclaimer pack is available from our website.
5. Aris edges are recommended to provide a consistent edge finish. Pencil round edges are achievable but not recommended due to the inconsistent finish on the edge.
6. There are multiple finishes in UCS/POR, the finish the product is supplied in is the only option. This cannot be altered.
7. The slabs may differ in colour to the sample.
8. Different batch number may differ in colour, this includes different slab thicknesses may differ in colour as they are manufactured in different batches.
9. 12mm and 20mm can be used for all applications.
10. 6mm and 8mm to be used for vertical applications which will be subject to suitability and site inspection only.

Cleaning, maintenance and warranty

- UCS/POR products do not need resealing. They have a hard, non-porous surface.
- For day to day cleaning, use hot soapy water. For more stubborn stains, try Windex, diluted bleach, acetone, rubbing alcohol, CLR, Solvents etc. Avoid leaving these on the tops for more than 10 mins. Scrub and rinse thoroughly.
- UCS/POR are extremely resistant to large fluctuations in heat and cold.
- UCS/POR are highly scratch resistant, but a cutting board is still recommended to prevent dulling your knives and avoiding metal transfer. Gloss surfaces are not as scratch resistant as matte surfaces and are not available for bench top applications. Vertical applications only such as splashbacks are recommended.
- Edstein guarantee the installation of the stone countertops and recommend you register your warranty online with the appropriate company to warrant the stone.
- Chips and cracks are not covered under warranty.
- Damage as a result of sitting, climbing or standing / excessive weight on a product is not covered under warranty.
- All uses of this material in a fireplace setting or fireplace adjacent setting, are subject to the restrictions of the fireplace manufacturers guidelines and any relevant building certifier or architect.

Benchtop support

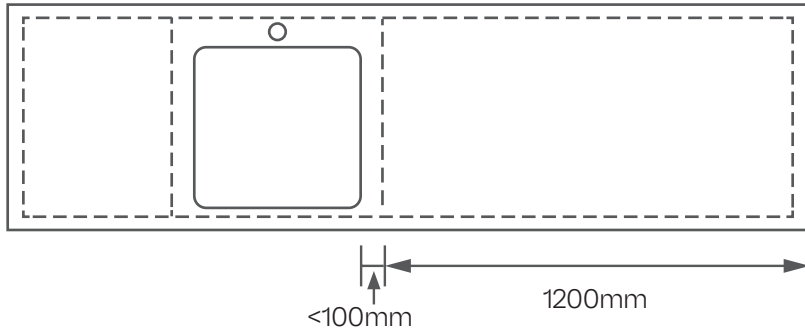
NS

ES

UCS
POR

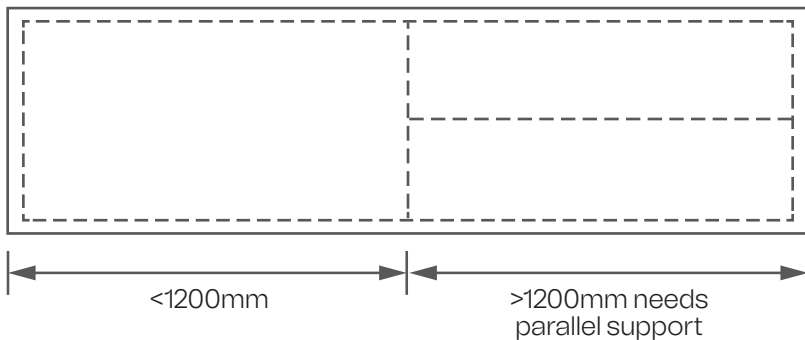
Tops with cut-outs

Support for cut outs is required and must be within 100mm of the cut out.



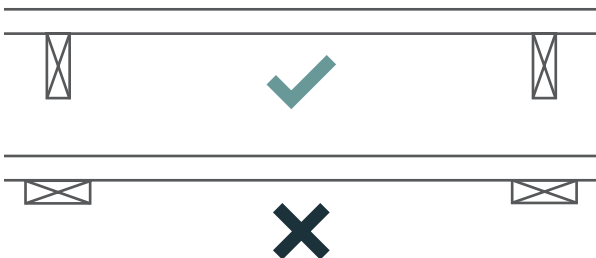
Tops with no cut-outs

Support required every 1200mm.



Notes

Support must be a vertical rail, horizontal rails are not acceptable as support due to flex.



Solid substrates

Single thickness 12mm products in this range that are to be used for benchtop applications **MUST** be supported by a **SOLID** substrate without any openings. This is not necessary for a benchtop section where there is a cut out for a sink / cooktop, but must be supported within 100mm of cutouts.

NOTE: 6–8mm thicknesses are not suitable for benchtop applications and are only available for use as splash backs, bar backs or smaller vertical applications.

Wall cladding / flooring

Minimum thickness of 12mm may be used. Use of 6mm–8mm will be subject to a site inspection and most likely not suitable. A cement sheet substrate or the like is the most suited for wall or floor applications.

Steel frames / substrates

Products **ARE NOT** to be installed directly onto a steel frame/substrate, whether being used in an internal or external situation. A cement sheet substrate, marine ply, waterproof board (ie: PVC Board), Compact Laminate or other suitable sheet type product will be required to clad the steel frame/substrate.

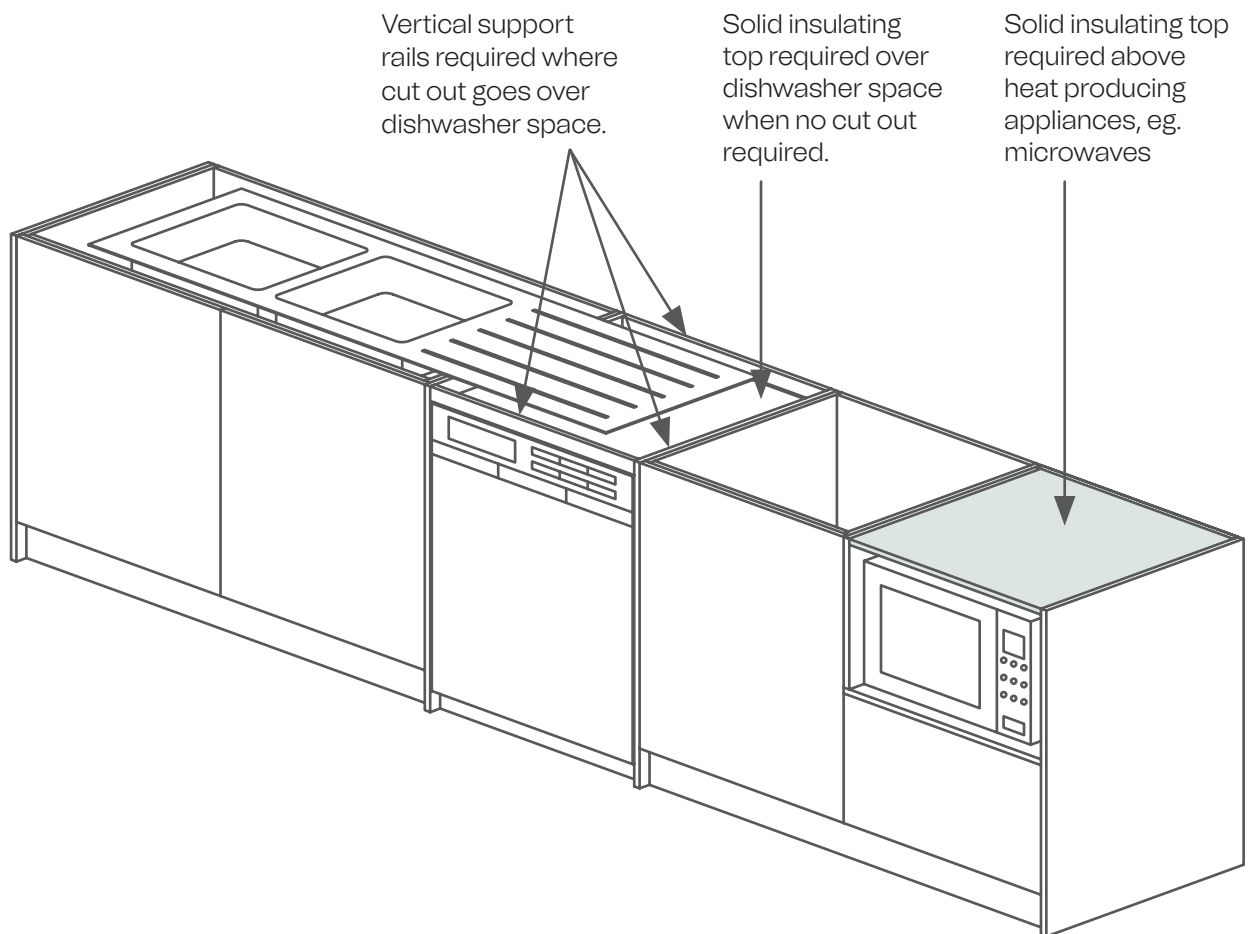
Underbench appliances



Appliances such as microwaves generate heat in a very confined space.

In order to protect the benchtops, it is recommended that a solid insulating top is installed above these appliances for support and insulation.

Follow manufacturers' recommendation for clearances.



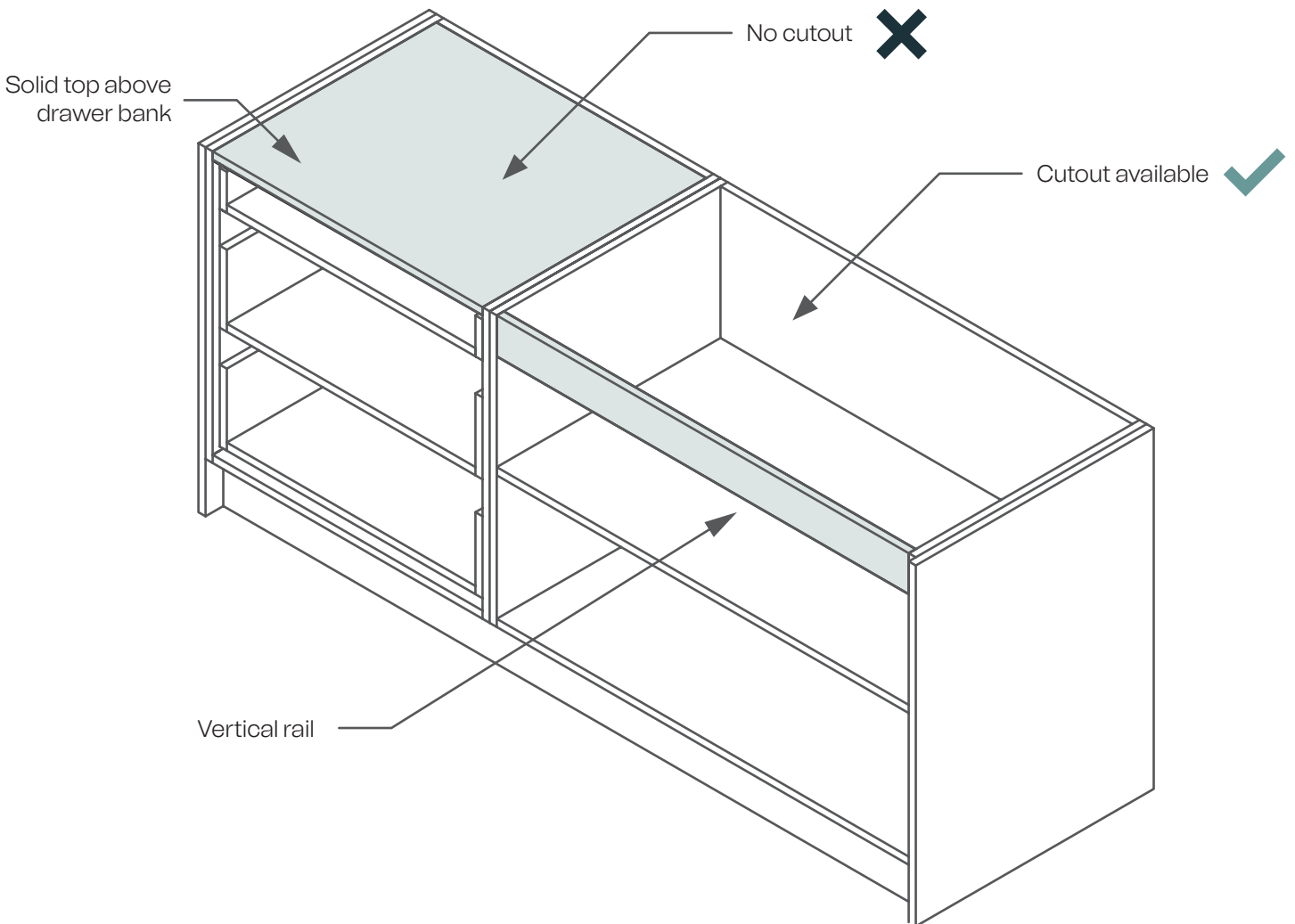
Benchtop support

NS

ES

UCS
POR

- Solid tops are not a replacement for vertical rails. A flat panel adds strength but does not negate the need for solid vertical rails in cabinets where there will be cut-outs.
- Cabinets should have vinyl wrapped solid timber vertical rails to provide maximum strength.
- Vertical rails over under bench ovens provide additional support, especially important when the cooktop cut-out is above the oven.
- All cutouts require vertical rail support



Overhangs

NS

ES

UCS
POR

Straight runs

20 and 40mm
Maximum 300mm.

12mm

Pieces under 1200mm, maximum 300mm.

Pieces over 1200mm, maximum 230mm.

Pieces when mitred 40mm+,

maximum 300mm.

Corner runs

20mm

Maximum 425mm at corner

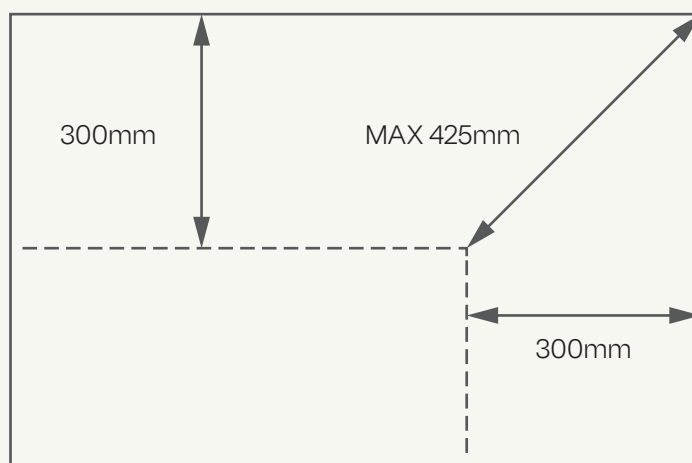
12mm

Maximum 250mm at corner

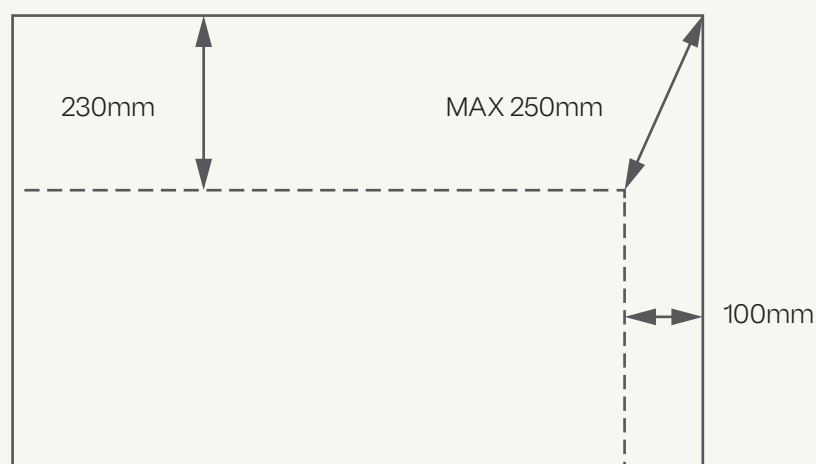
Pieces when mitred 40mm+,

maximum 300mm at corner.

20mm/40mm thick



12mm thick



Undermount sinks

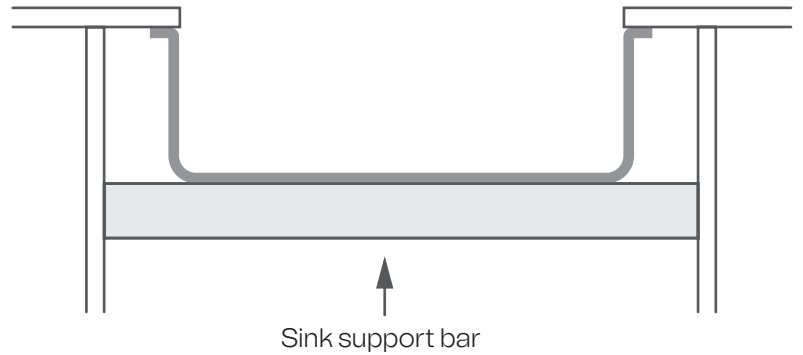
NS

ES

UCS
POR

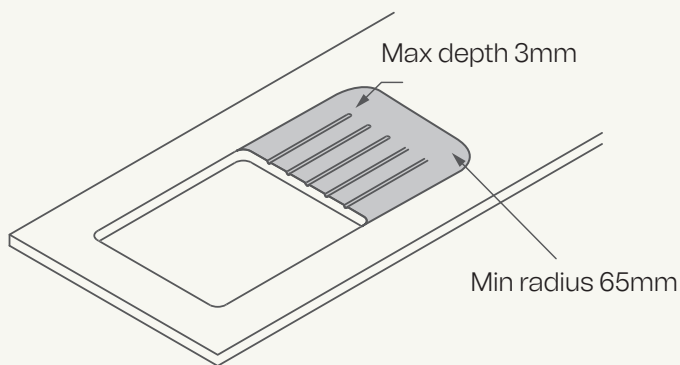
Support

For large undermount sinks — 30 litres + an extra rail is required for support



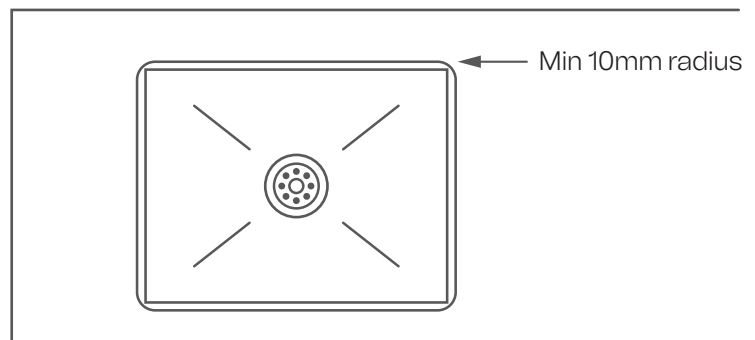
Drainer grooves — recessed drainer boards / drying areas

- Max depth of 3mm for recessed drainer board / drying area
- Minimum corner radius for a recessed drainer board / drying area is 65mm.
- Drainer grooves and recessed drainer board / drying areas are not available in UCS/POR.
- If benchtop material is matte in appearance, drainer grooves will still be polished in appearance.
- Drainer groove suitability subject to confirmation before fabrication.



Internal corners

Undermount cut-out internal corners must have a minimum radius of 10mm.



Butlers sinks

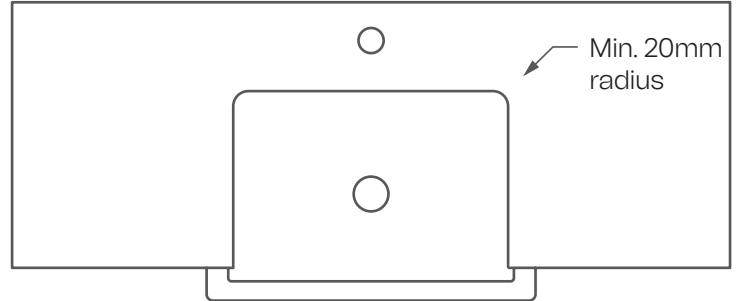


ES, NS and UCS/POR single thickness

- Butler's sink cut outs must have a minimum of 20mm radius corners. Unless joins are required. If joins are required the corners will be square. Support is required behind sink.

Notes

The necessity for joins will be subject to site inspection/measure. As a general rule the remaining depth behind the sink must be one third or greater than the overall depth of top to negate the need for joins.

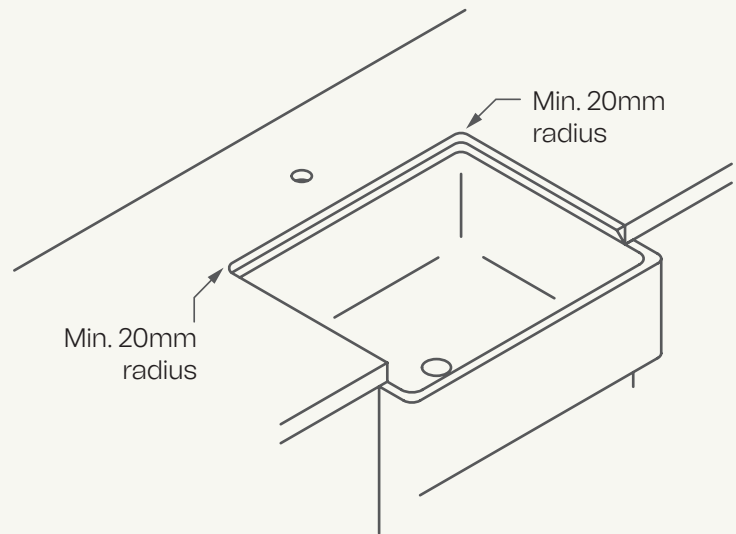


ES and NS 40mm+

- Will be laminated only around the sink edge to allow for internal radius corners (min. 20mm) where joins are not required.
- Support is required behind sink.

Notes

UCS / POR is not available in this type of application.

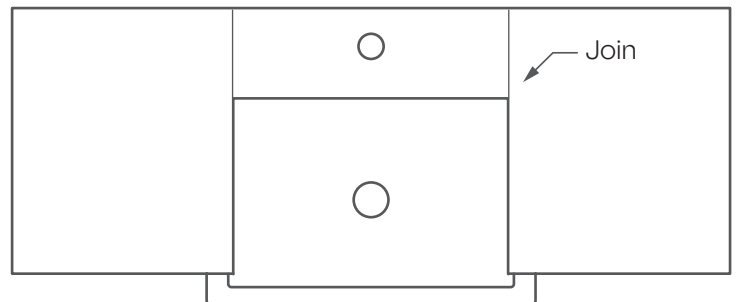


UCS — 12, 20mm and 40mm+

- Support is required behind sink. Joins will most likely be required — subject to site inspection / measure.

Notes

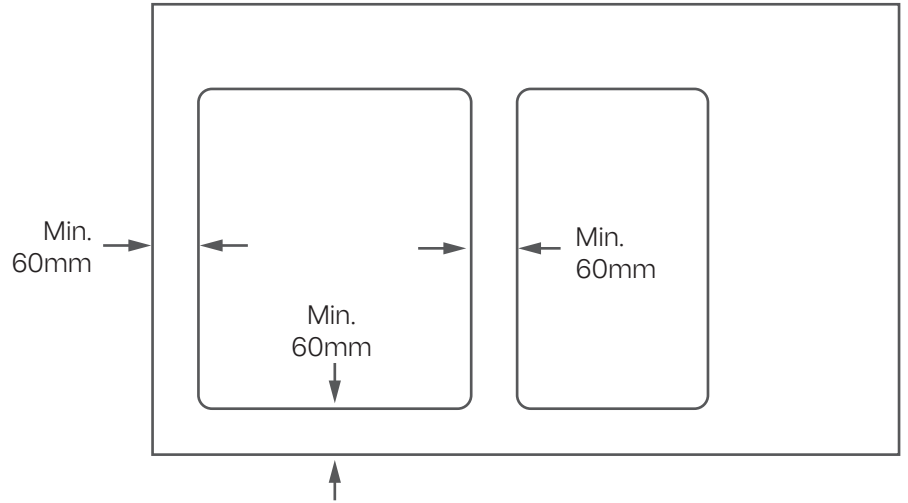
40mm+ will be box mitred edge only and joins will be required with square internal corners.



Cut-outs



— Minimum 60mm from edge of stone to any cut out (any material) — less will require a join/s.



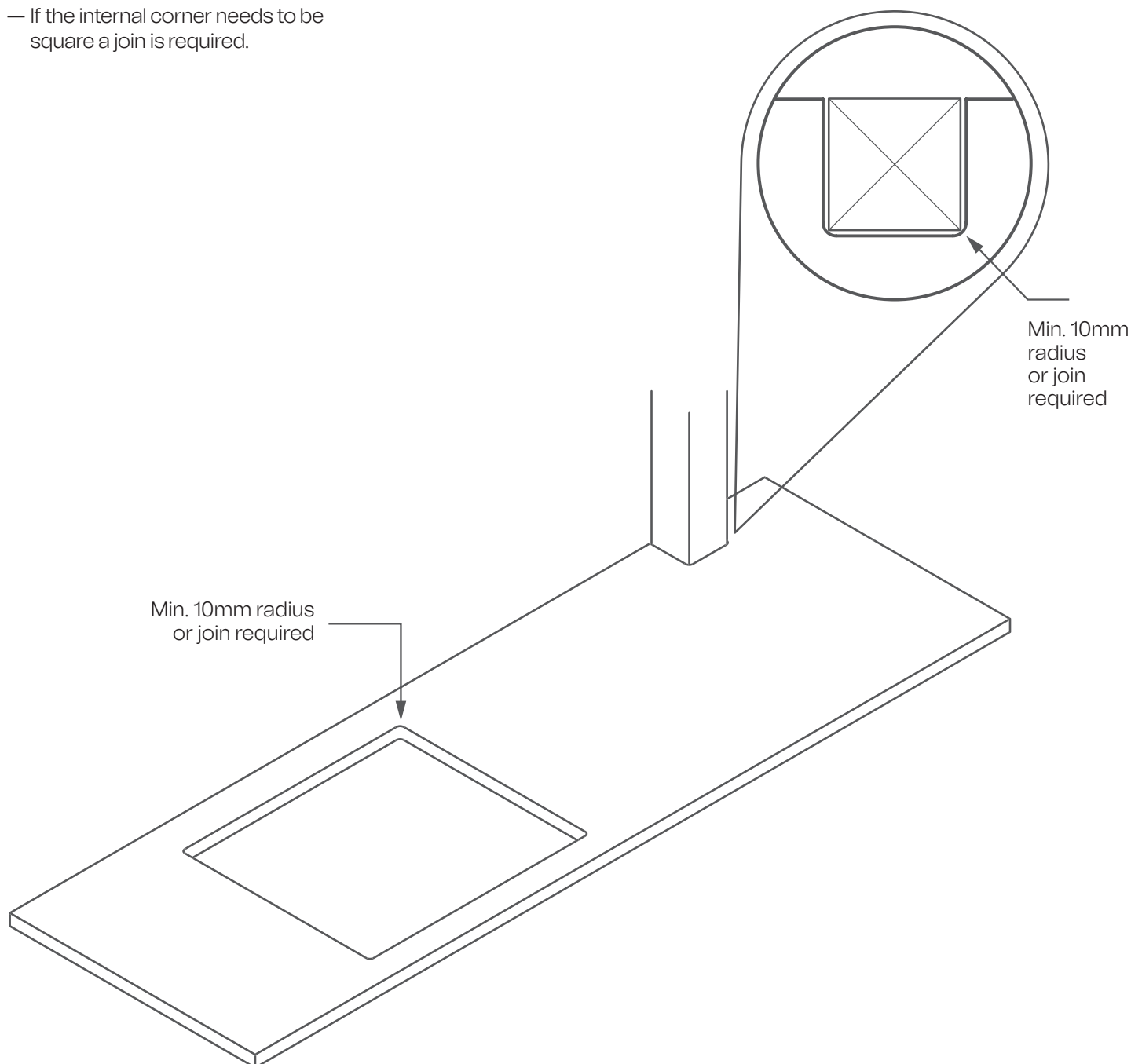
Minimum radius cut-outs

NS

ES

UCS
POR

- All cut out internal corners must have a minimum radius of 10mm.
- If the internal corner needs to be square a join is required.



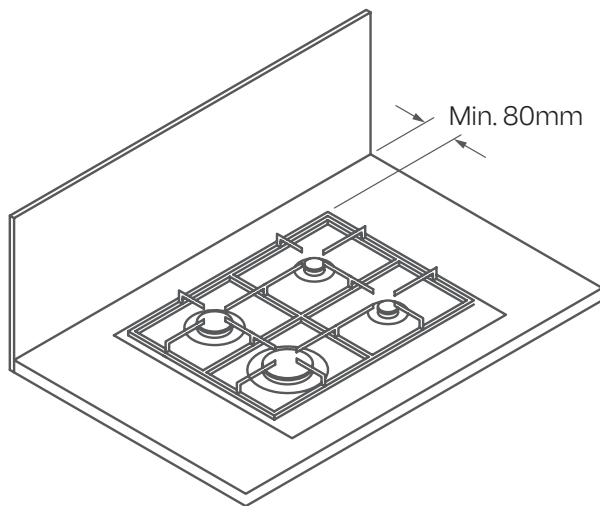
Distance to splashbacks

NS

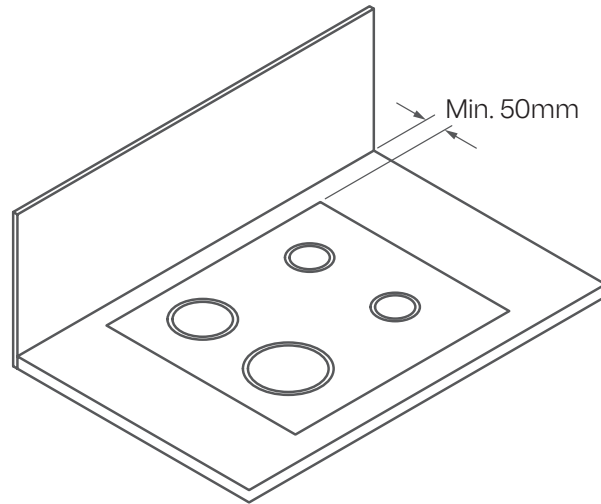
ES

UCS
POR

Gas cooktops —
UCS/POR and NS



Induction cooktops
— ES, NS and UCS/POR



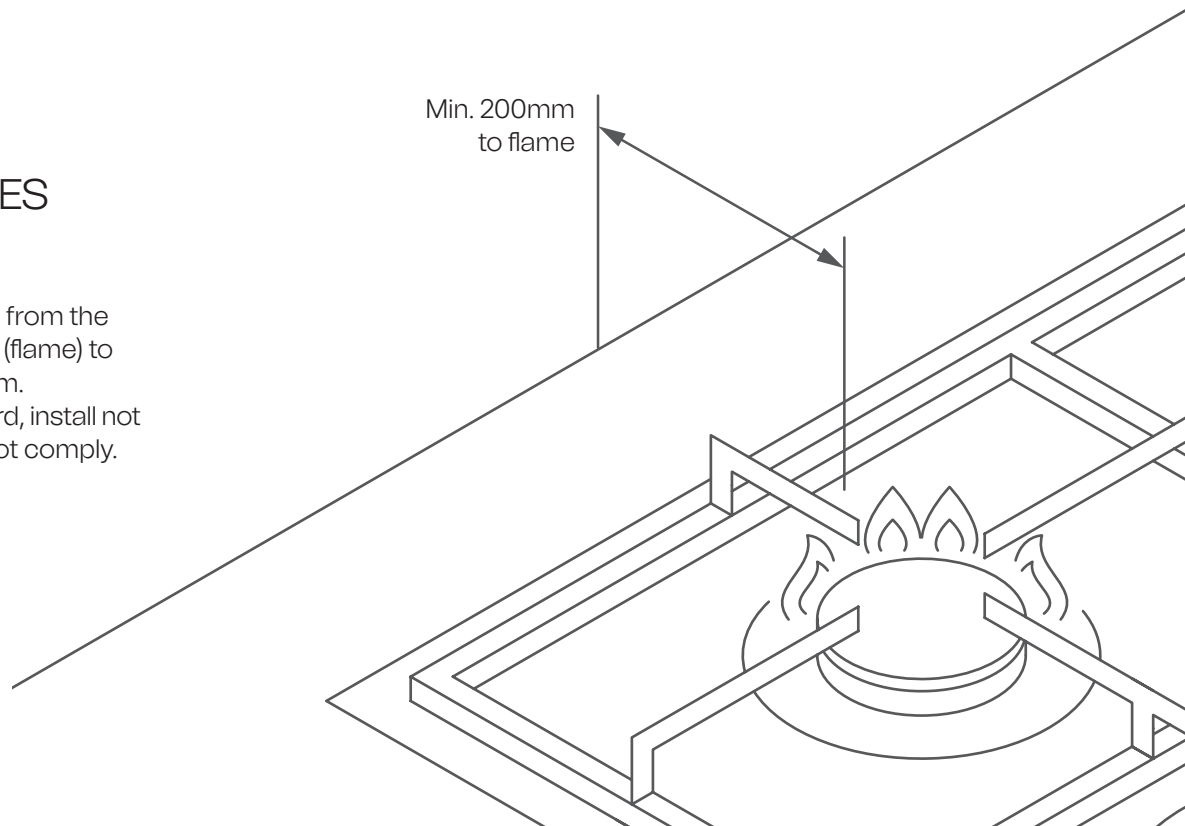
Notes

Pit cookers are only able to be used with UCS/POR and NS tops.

Gas cooktops — ES

Notes

Minimum distance required from the periphery of the gas burner (flame) to the ES splashback is 200mm. This is an Australian Standard, install not available if distance does not comply.

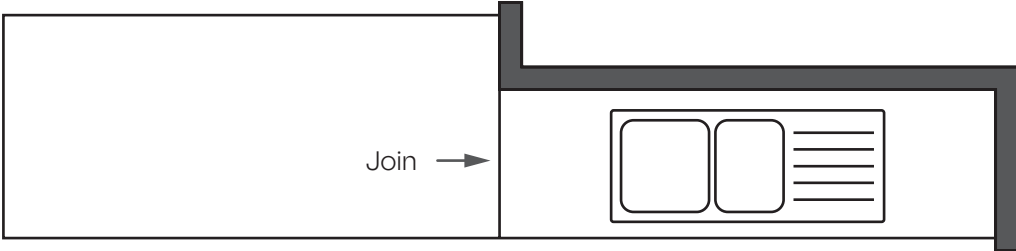
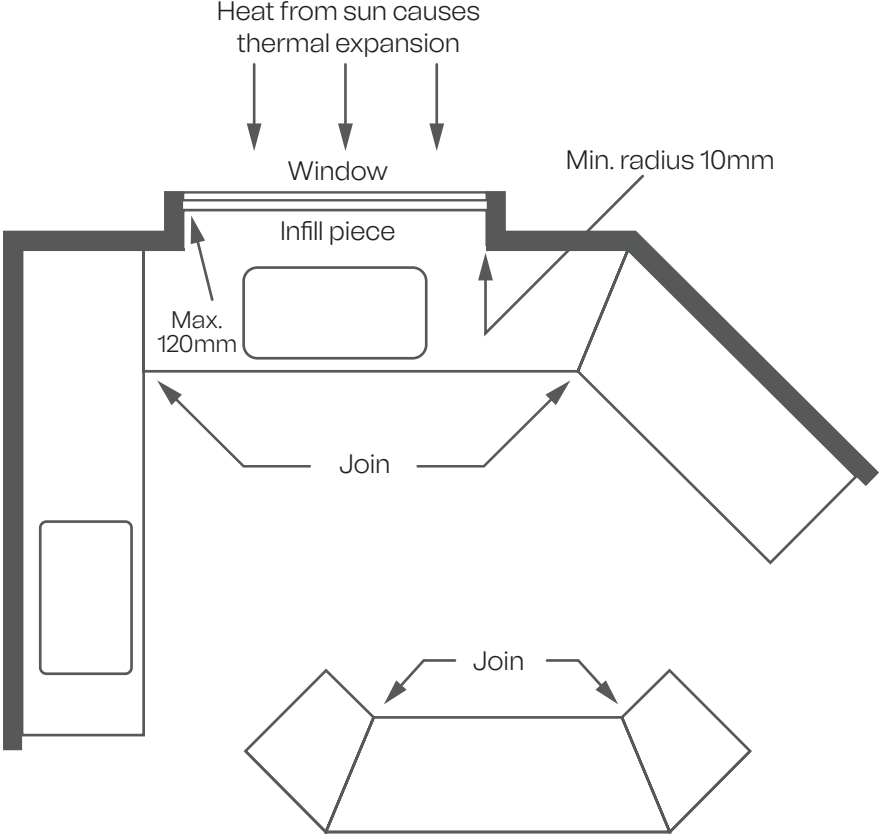


L-shaped cut-outs

It is required that there are joints at every change of direction in the benchtop, not doing so may result in cracking after installation.

Stone benchtops must butt into windows only and cannot protrude underneath window. Maximum return into window opening is 120mm.

This needs to be fully supported underneath and cannot be allowed to hang unsupported out to the window. All corners on such a protrusion must have a minimum 10mm radius.



Barbeques

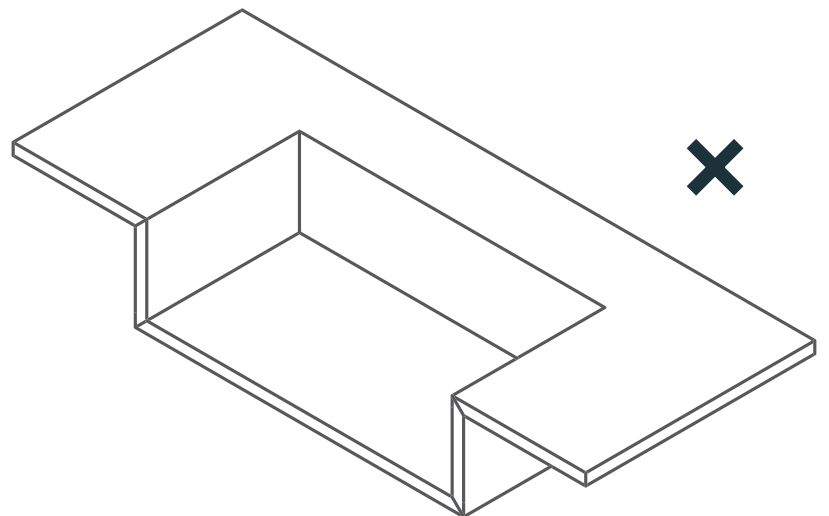
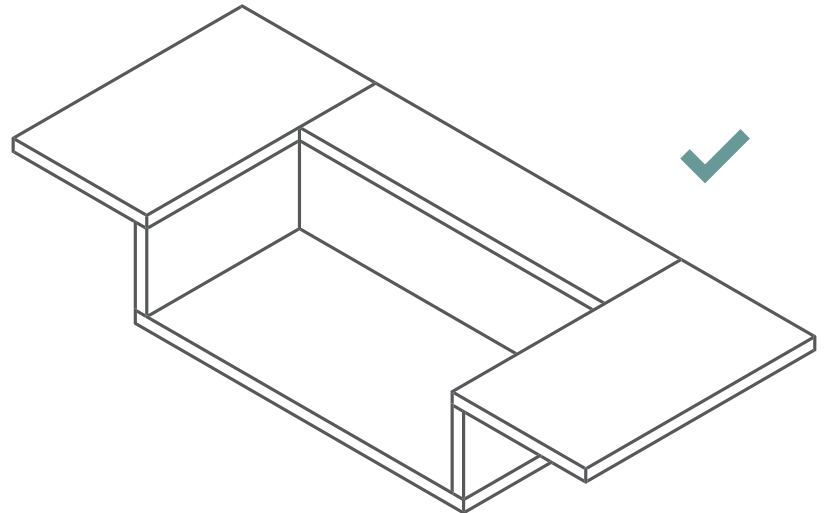
NS

UCS
POR

Mitred drop-downs under barbeques are not available — butt-joined sides only are available.

Rails must be incorporated in the design behind barbeques. A full substrate is required for all BBQ installations, no exceptions.

Stone cannot be glued directly to a steel frame, a cement sheet substrate, marine ply or waterproof board such as PVC board or compact laminate is required.



Barbeques

- ES is not recommended for use with BBQs, near a heat source or outside. ES is not UV stable
- ES can only be used with BBQs with heat jacket fitted to protect the stone from the heat source

The following brands are a selection of those on the market with the option to buy a heat jacket, or have the heat jacket built in as standard.

You need an insulated jacket when you are installing the BBQ into cabinetry and you have combustible materials within the clearance area of the BBQ. Each BBQ is different so you need to check the manual or spec sheets for the clearance required.



Example of bbq with built-in insulation jacket

Brands

Tucker

Heatlie

Grandfire

Fisher & Paykel

Wolf

Bull

Lynx

Gasmate



Example of bbq insulation jacket

2023 V1.0

Mid North Coast

128–130 Manning River Dr
Taree South NSW 2430

PO Box 167
Taree South NSW 2430

T 02 6551 6266
F 02 6551 0718

Hunter

47–49 Wallsend Rd
Sandgate NSW 2304

T 02 4968 3600
F 02 4968 9806

Email

info@edstein.com.au

Website

edstein.com.au

The art 
of stone